

09  
00

# CONNECTOR FOR FLASH1,2,3,4

09  
01

09  
02

09  
03

09  
04

09  
05

09  
06

09  
07

09  
08

09  
09

09  
10

09  
11

09  
12

09  
13

09  
14

09  
15

09  
16

09  
17

09  
18

09  
19

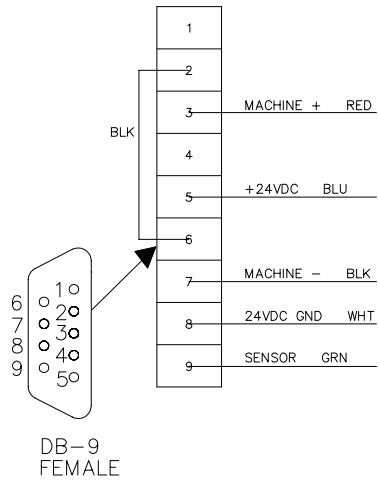
09  
20

09  
21

09  
22

09  
23

09  
24



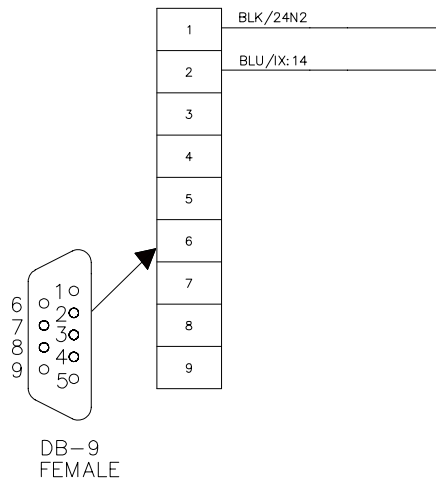
Z1 - 25cm

Z2 - 17cm

Z3 - 13cm

TASMA - 26 cm

# CONNECTOR FOR FOOT SWITCH



PRINTEX UE		JOB NO. JOB1	DWG. NO. DWG9
------------	--	-----------------	------------------

DR PM	CHK PM	APP PM	DATE 07/03/08
----------	-----------	-----------	------------------

NAME CONNECTOR FOR FLASH & FOOT SWITCH
-------------------------------------------

SCALE B	DWG NO DWG9	SHEET 1/1	REV
------------	-------------------	--------------	-----